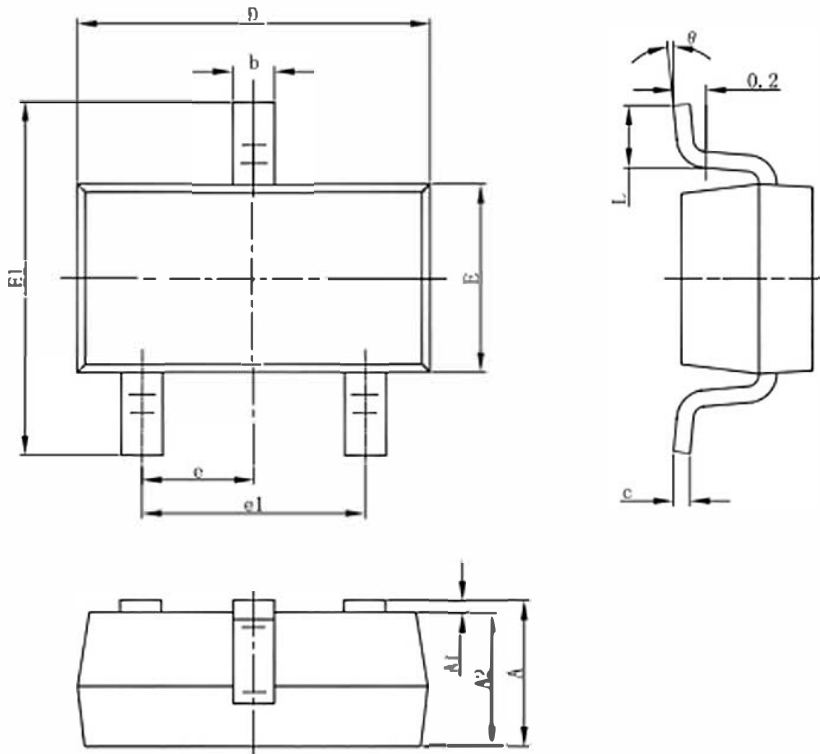
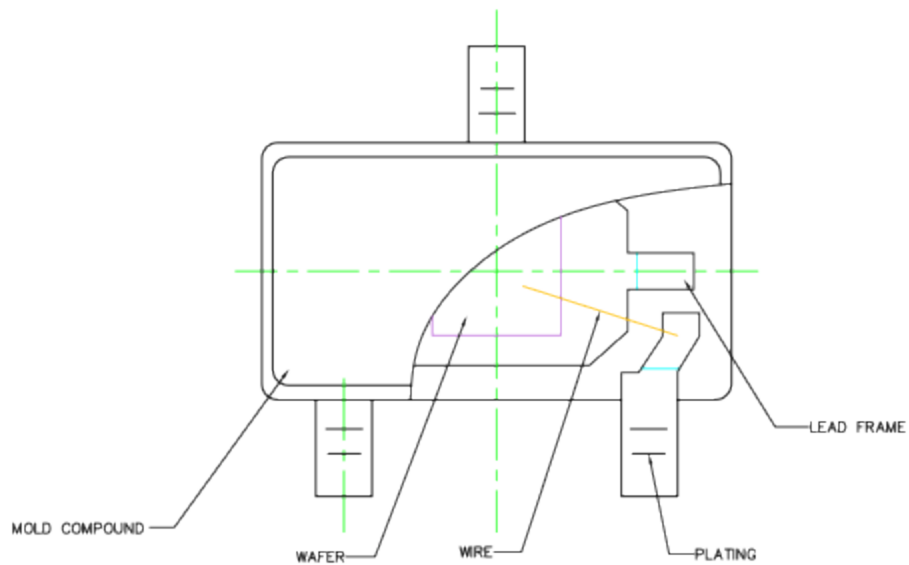


### SOT-23-3L PACKAGE OUTLINE DIMENSIONS



Symbol	Dimensions In Millimeters		Dimensions In Inches	
	Min	Max	Min	Max
A	1.050	1.250	0.041	0.049
A1	0.000	0.100	0.000	0.004
A2	1.050	1.150	0.041	0.045
b	0.300	0.500	0.012	0.020
c	0.100	0.200	0.004	0.008
D	2.820	3.020	0.111	0.119
E	1.500	1.700	0.059	0.067
E1	2.650	2.950	0.104	0.116
e	0.950(BSC)		0.037(BSC)	
e1	1.800	2.000	0.071	0.079
L	0.300	0.600	0.012	0.024
$\theta$	0°	8°	0°	8°



Disc No.

Old Drawing No.

Drawing No.

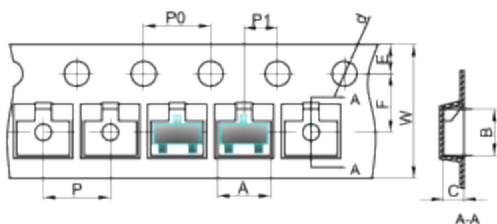
Date Sign.

Format (1)

					Finish	Refer To Technology Specification		
					SOT-23-3L			
Mark	QTY.	Ch No.	Sign.	Date		Step	Rev.	Scale
Design							A	40:1
Check								
Process								
Stand.						1	OF 1	
Approve						JCET Co., Ltd		

## SOT-23-3L Tape and reel

### SOT-23-3L Embossed Carrier Tape



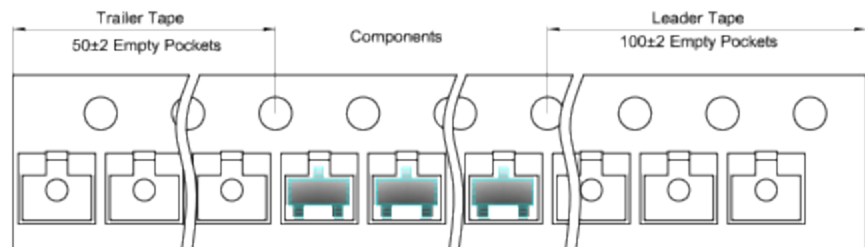
#### Packaging Description:

SOT-23-3L parts are shipped in tape. The carrier tape is made from a dissipative (carbon filled) polycarbonate resin. The cover tape is a multilayer film (Heat Activated Adhesive in nature) primarily composed of polyester film, adhesive layer, sealant, and anti-static sprayed agent. These reeled parts in standard option are shipped with 10,000 units per 13" or 33.00 cm diameter reel. The reels are clear in color and is made of polystyrene plastic (anti-static coated).

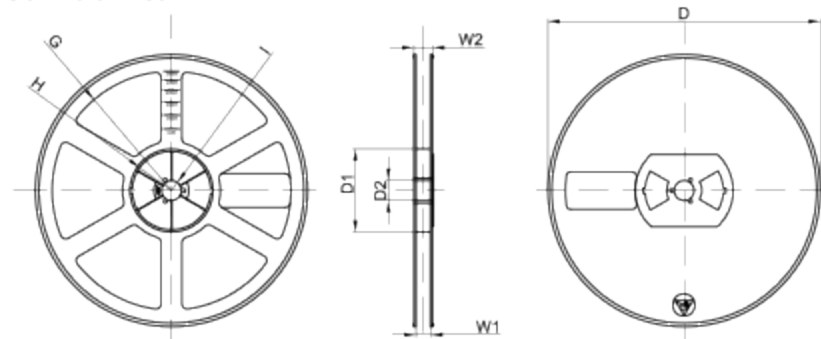
Dimensions are in millimeter

Pkg type	A	B	C	d	E	F	P0	P	P1	W
SOT-23-3L	3.15	2.77	1.22	Ø1.50	1.75	3.90	4.00	4.00	2.00	8.00
(Tolerance)	+/-0.1	+/-0.1	+/-0.1	+/-0.1	+/-0.1	+/-0.1	+/-0.1	+/-0.1	+/-0.1	+0.3/-0.1

### SOT-23-3L Tape Leader and Trailer



### SOT-23-3L Reel



Dimensions are in millimeter

Reel Option	D	D1	D2	G	H	I	W1	W2
7" Dia	Ø178.00	54.40	13.00	R78.00	R25.60	R6.50	9.50	12.30
Tolerance	+/-2	+/-1	+/-1	+/-1	+/-1	+/-1	+/-1	+/-1

REEL	Reel Size	Box	Box Size(mm)	Carton	Carton Size(mm)	G.W.(kg)
3000 pcs	7 inch	30,000 pcs	203×203×195	120,000 pcs	438×438×220	

## SOT23-3L 包装 (SOT23-3L PACKING)

编带包装 (Tape&Reel Packing):

1. 包装流程图 (Packing procedure):



2 包装规格 (Packing spec):

封装 PKG	载带盖带 tape	卷盘 Reel	包装箱 Box	只/盘 pcs/reel	盘/盒 reel/box	只/盒 pcs/box	盒/箱 box/carton	只/箱 pcs/carton
SOT23-3L	IC-ZD-08	7" (IC-JP-05)	SOT23 包装箱	3000	10	30000	4	120000