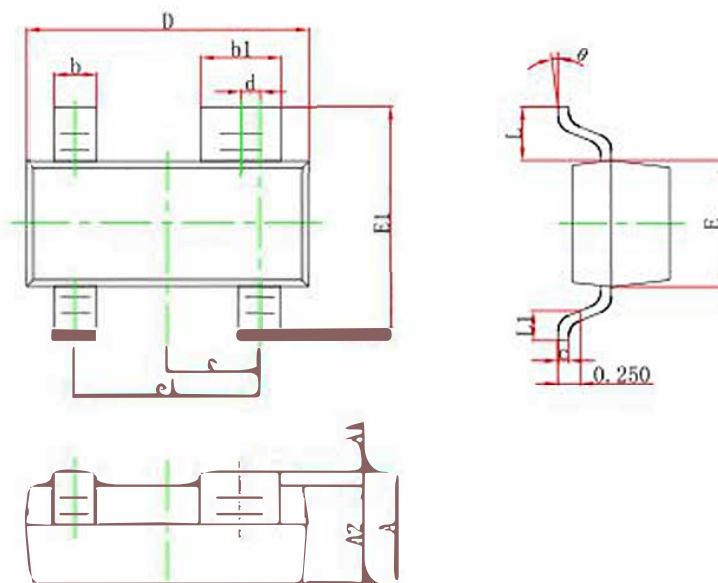


SOT-143 PACKAGE OUTLINE DIMENSIONS



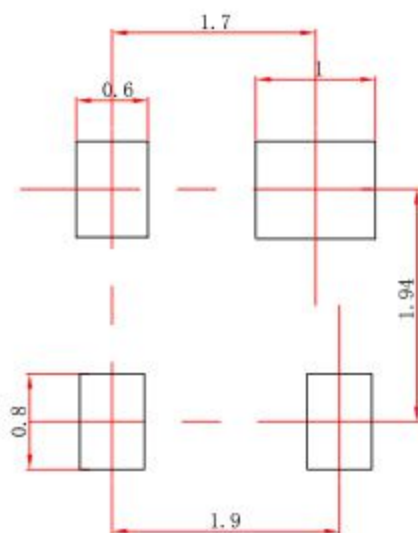
Symbol	Dimensions In Millimeters		Dimensions In Inches	
	Min.	Max.	Min.	Max.
A	0.900	1.150	0.035	0.045
A1	0.000	0.100	0.000	0.004
A2	0.900	1.050	0.035	0.041
b	0.300	0.500	0.012	0.020
b1	0.750	0.900	0.030	0.035
c	0.080	0.150	0.003	0.006
D	2.800	3.000	0.110	0.118
d	0.200 TYP.		0.008 TYP.	
E	1.200	1.400	0.047	0.055
E1	2.250	2.550	0.089	0.100
e	0.950 TYP.		0.037 TYP.	
e1	1.800	2.000	0.071	0.079
L	0.550 REF.		0.022 REF.	
L1	0.300	0.500	0.012	0.020
θ	0°	8°	0°	8°

NOVEMBER 2008, Rev. A

拟制:

审核:

批准:



中心距: 1.90/1.70
 脚宽: 0.44/0.83
 焊盘宽: 0.60/1.00
 脚长: 0.55
 焊盘长: 0.80

技术要求

1. 塑封体尺寸2.90×1.30;
2. 未注公差为: ±0.05;
3. 所有单位为: mm.

媒体编号

镀涂

旧底图总号

SOT-143
焊盘

更改标记	数量	更改单号	签名	日期

设计
 审核
 工艺

等级标记	版号	比例
		20:1

第 1 张 共 1 张

日期 签名
 标准
 批准

江苏长电科技股份有限公司

格式 (1)

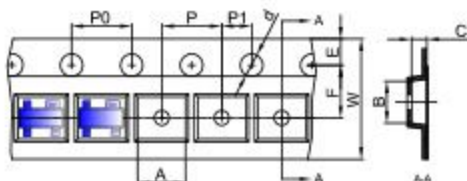
制图:

描图:

幅面: A4

SOT-143 Tape and reel

SOT-143 Embossed Carrier Tape

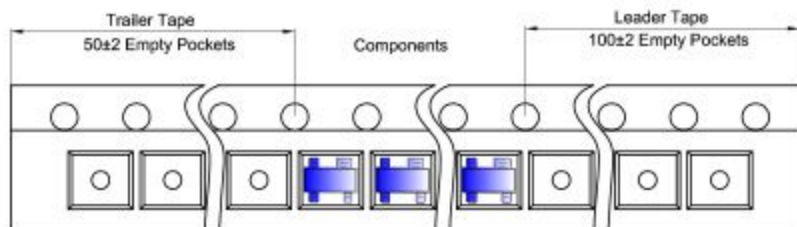


Packaging Description:

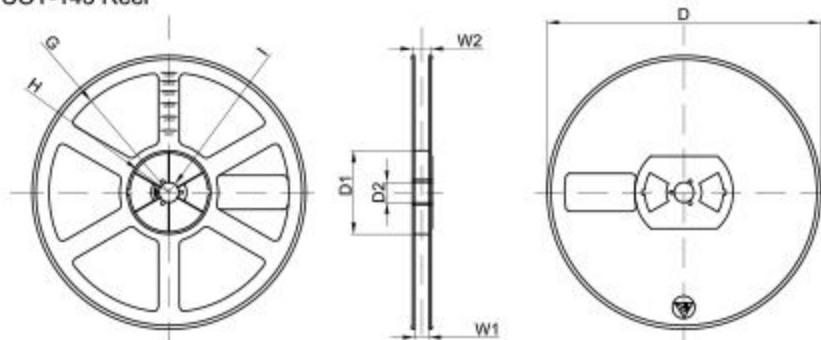
SOT-143 parts are shipped in tape. The carrier tape is made from a dissipative (carbon filled) polycarbonate resin. The cover tape is a multilayer film (Heat Activated Adhesive in nature) primarily composed of polyester film, adhesive layer, sealant, and anti-static sprayed agent. These reeled parts in standard option are shipped with 3,000 units per 7" or 17.8cm diameter reel. The reels are clear in color and is made of polystyrene plastic (anti-static coated).

Dimensions are in millimeter										
Pkg type	A	B	C	d	E	F	P0	P	P1	W
SOT-143	3.19	2.90	1.31	Ø1.50	1.75	3.50	4.00	4.00	2.00	8.00
(Tolerance)	+/-0.1	+/-0.1	+/-0.1	+/-0.1	+/-0.1	+/-0.1	+/-0.1	+/-0.1	+/-0.1	+/-0.1

SOT-143 Tape Leader and Trailer



SOT-143 Reel



Dimensions are in millimeter								
Reel Option	D	D1	D2	G	H	I	W1	W2
7" Dia	Ø178.00	54.40	13.00	R78.00	R25.60	R6.50	9.50	12.30
Tolerance	+/-2	+/-1	+/-1	+/-1	+/-1	+/-1	+/-1	+/-1

REEL	Reel Size	Box	Box Size(mm)	Carton	Carton Size(mm)	G.W.(kg)
3000 pcs	7 inch	45,000 pcs	203*203*195	180,000 pcs	438*438*220	

