

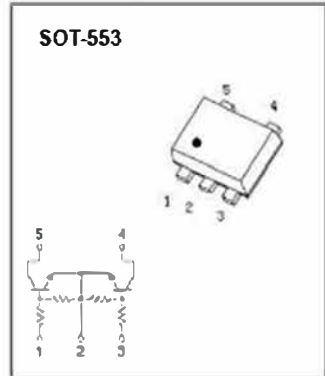
Digital Transistors (Built-in Resistors)

EMG11 Dual Digital Transistors (NPN+NPN)

FEATURES

Two DTC123JCA chips in a package

Marking: G11



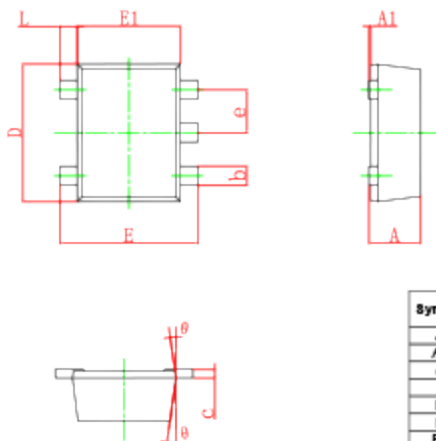
Absolute maximum ratings ($T_a=25^\circ\text{C}$)

| Symbol | Parameter | Value | Units |
|-----------|----------------------|----------|------------------|
| V_{cc} | Supply Voltage | 50 | V |
| V_i | Input voltage | -5~12 | V |
| I_o | Output current | 100 | mA |
| P_D | Power dissipation | 150 | mW |
| T_j | Junction temperature | 150 | $^\circ\text{C}$ |
| T_{stg} | Storage temperature | -55~+150 | $^\circ\text{C}$ |

Electrical Characteristics ($T_a=25^\circ\text{C}$)

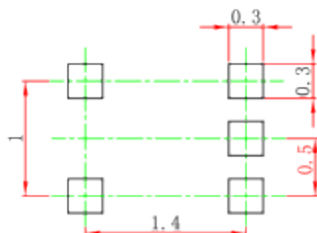
| Parameter | Symbol | Test conditions | Min | Typ | Max | Unit |
|------------------------|--------------|--|-----|-----|-----|---------------|
| Input turn-on voltage | $V_{(on)}$ | $V_{cc}=0.3\text{V}$, $I_o=5\text{mA}$ | | | 1.1 | V |
| Input cut-off voltage | $V_{(off)}$ | $V_{cc}=5\text{V}$, $I_o=100\mu\text{A}$ | 0.5 | | | V |
| Output voltage | $V_{(out)}$ | $I_o=5\text{mA}$, $I_f=0.25\text{mA}$ | | | 0.3 | V |
| Input cut-off current | I_i | $V_i=5\text{V}$ | | | 3.6 | mA |
| Output cut-off current | $I_{o(off)}$ | $V_{cc}=50\text{V}$, $V_i=0$ | | | 0.5 | μA |
| DC current gain | G_i | $V_o=5\text{V}$, $I_o=10\text{mA}$ | 80 | | | |
| Transition frequency | f_t | $V_{ce}=10\text{V}$, $I_c=5\text{mA}$, $f=100\text{MHz}$ | | 250 | | MHz |
| Input resistance | R_i | | | 2.2 | | k Ω |
| Resistance ratio | R_2/R_1 | | 17 | | 26 | |

SOT-553 Package Outline Dimensions



| Symbol | Dimensions in Millimeters | | Dimensions in Inches | |
|--------|---------------------------|-------|----------------------|-------|
| | Min. | Max. | Min. | Max. |
| A | 0.525 | 0.600 | 0.021 | 0.024 |
| A1 | 0.000 | 0.050 | 0.000 | 0.002 |
| e | 0.450 | 0.550 | 0.018 | 0.022 |
| c | 0.090 | 0.160 | 0.004 | 0.006 |
| D | 1.500 | 1.700 | 0.059 | 0.067 |
| b | 0.170 | 0.270 | 0.007 | 0.011 |
| E1 | 1.100 | 1.300 | 0.043 | 0.051 |
| E | 1.500 | 1.700 | 0.059 | 0.067 |
| L | 0.100 | 0.300 | 0.004 | 0.012 |
| θ | 7° REF. | | 7° REF. | |

SOT-553 Suggested Pad Layout



Note:

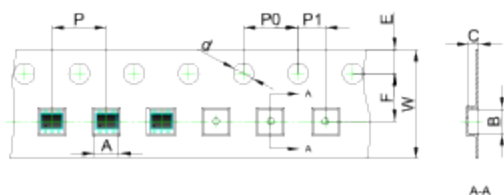
1. Controlling dimension: in millimeters.
2. General tolerance: $\pm 0.05\text{mm}$.
3. The pad layout is for reference purposes only.

NOTICE

JCET reserve the right to make modifications, enhancements, improvements, corrections or other changes without further notice to any product herein. JCET does not assume any liability arising out of the application or use of any product described herein.

SOT-553 Tape and reel

SOT-553 Embossed Carrier Tape

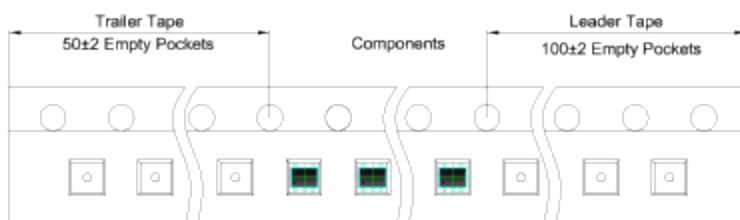


Packaging Description:

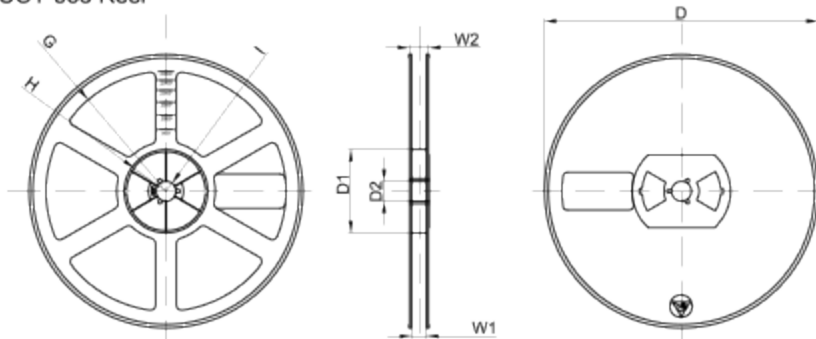
SOT-553 parts are shipped in tape. The carrier tape is made from a dissipative (carbon filled) polycarbonate resin. The cover tape is a multilayer film (Heat Activated Adhesive in nature) primarily composed of polyester film, adhesive layer, sealant, and anti-static sprayed agent. These reeled parts in standard option are shipped with 3,000 units per 7" or 17.8cm diameter reel. The reels are clear in color and is made of polystyrene plastic (anti-static coated).

| Dimensions are in millimeter | | | | | | | | | | |
|------------------------------|--------|--------|--------|--------|--------|--------|--------|--------|--------|--------|
| Pkg type | A | B | C | d | E | F | P0 | P | P1 | W |
| SOT-553 | 1.78 | 1.78 | 0.69 | Ø1.50 | 1.75 | 3.50 | 4.00 | 4.00 | 2.00 | 8.00 |
| (Tolerance) | +/-0.1 | +/-0.1 | +/-0.1 | +/-0.1 | +/-0.1 | +/-0.1 | +/-0.1 | +/-0.1 | +/-0.1 | +/-0.1 |

SOT-553 Tape Leader and Trailer



SOT-553 Reel



| Dimensions are in millimeter | | | | | | | | |
|------------------------------|---------|-------|-------|--------|--------|-------|------|-------|
| Reel Option | D | D1 | D2 | G | H | I | W1 | W2 |
| 7" Dia | Ø178.00 | 54.40 | 13.00 | R78.00 | R25.60 | R6.50 | 9.50 | 12.30 |
| Tolerance | +/-2 | +/-1 | +/-1 | +/-1 | +/-1 | +/-1 | +/-1 | +/-1 |

| REEL | Reel Size | Box | Box Size(mm) | Carton | Carton Size(mm) | G.W.(kg) |
|----------|-----------|------------|--------------|-------------|-----------------|----------|
| 3000 pcs | 7 inch | 45,000 pcs | 203×203×195 | 180,000 pcs | 438×438×220 | |